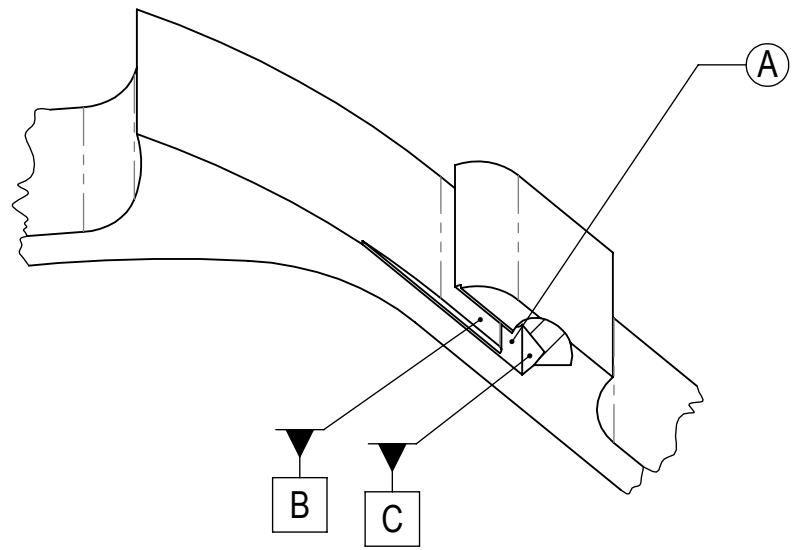


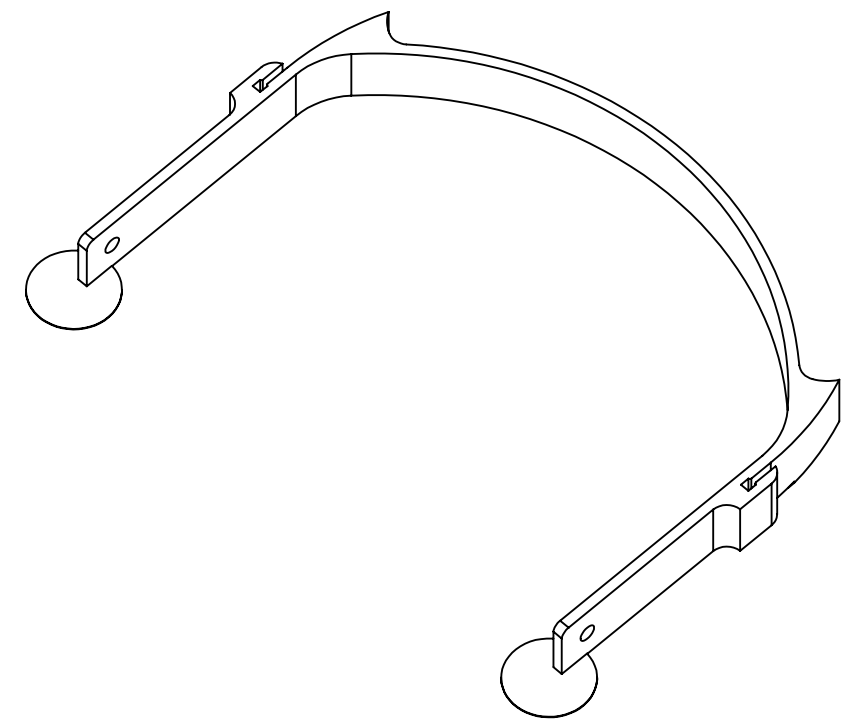
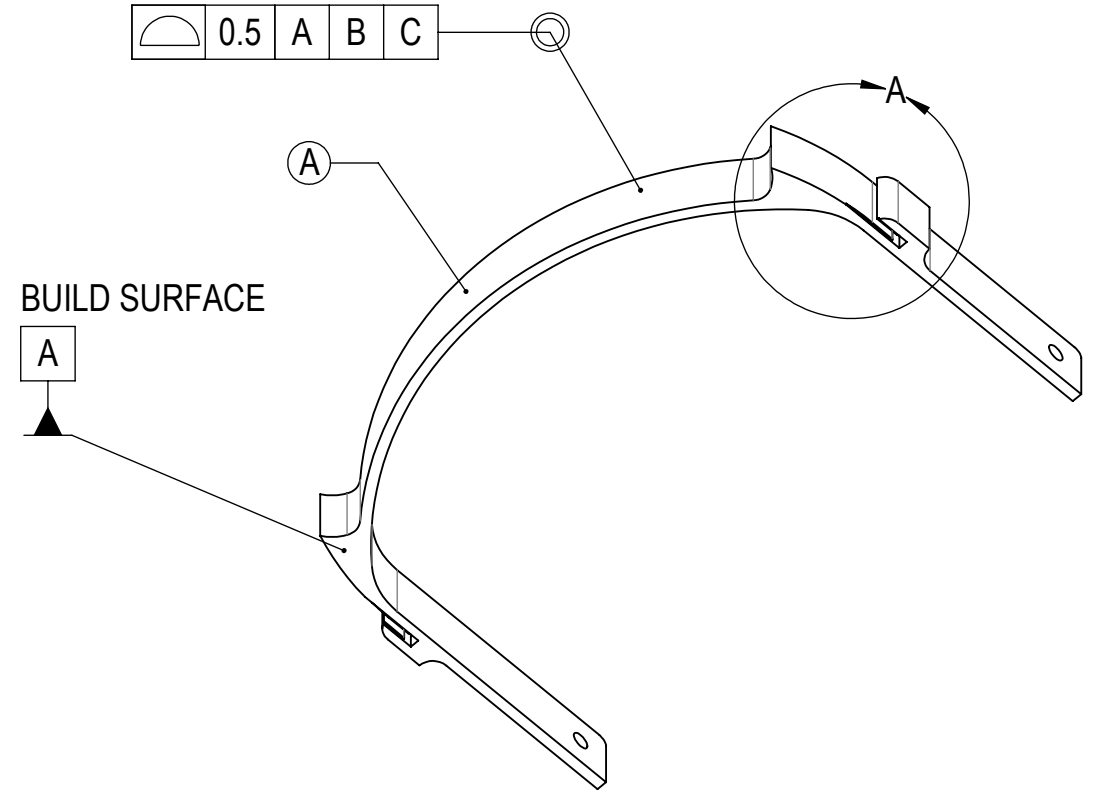
8 7 6 5 4 3 2 1

REVISIONS				
ZONE	REV.	DESCRIPTION	DATE	APPROVED
D3, E4	A	REMOVED FRONT HOLE, INCREASED SLIT CLEARANCE	2020-04-13	JB


- NOTES:
- CAD DATA SUPPLIED FOR FULL DEFINITION OF THIS PART
  - ALL DIMENSIONS QUERIED FROM CAD ARE BASIC
  - PART SHALL BE FREE OF INCLUSIONS OR CRACKS
  - REFER TO SHEET 2 FOR SLICER SETTINGS



DETAIL A  
SCALE 1.5 : 1



MODEL WITH ARTIFICIAL SUPPORTS


<b>PROPRIETARY</b>    UNIVERSITY OF OTTAWA	UNLESS OTHERWISE SPECIFIED: DIMS ARE IN MILLIMETERS TOLERANCE ON ANGLES 0.5° 0 PLACE ± 0.5 mm 1 PLACE ± 0.25 mm 2 PLACE ± 0.13 mm BREAK ALL SHARP EDGES 0.25 - 0.50mm	DRAWN S.TREMBLAY 2020-04-16	NAME S.TREMBLAY	DATE 2020-04-16	TITLE:  <b>HEAD BAND FACE MASK HOSPITAL PPE</b>
	INTERPRET THIS DRAWING IN ACCORDANCE WITH: ASME Y14.5-2009	CHECKED J.BOUDREAU 2020-03-30	ENG APPR.	MFG APPR.	
	MATERIAL PLA	Q.A.	COMMENTS:	Q.A.	
	FINISH NATURAL	SIZE <b>B</b>	DWG. NO. CEED-DET-1001-01	REV <b>A</b>	
	DO NOT SCALE DRAWING	SCALE: 1:2	WEIGHT: (30 g)	SHEET 1 OF 2	

8 7 6 5 4 3 2 1

F  
E  
D  
C  
B  
A

F  
E  
D  
C  
B  
A

ULTIMAKER 2+ TESTED SETTINGS				
PARAMETER	VALUES			UNITS
NOZZLE	0.8	0.6	0.4	mm
LAYER HEIGHT	0.3	0.27	0.25	mm
INITIAL LAYER HEIGHT	0.25	0.25	0.2	mm
INFILL PERCENTAGE	0	0	0	%
WALL THICKNESS	1.6	1.2	1.2	mm
OPTIMIZE WALL PRINTING ORDER	Enabled	Enabled	Enabled	-
RETRACTION	Enabled	Enabled	Enabled	-
PRINT SPEED	75	75	75	mm/s
INNER WALL SPEED	70	70	70	mm/s
OUTER WALL SPEED	70	70	70	mm/s
TRAVEL SPEED	120	120	120	mm/s
INITIAL LAYER SPEED	55	55	55	mm/s
SUPPORTS	None	None	None	-

<b>PROPRIETARY</b>    UNIVERSITY OF OTTAWA	UNLESS OTHERWISE SPECIFIED: DIMS ARE IN MILLIMETERS TOLERANCE ON ANGLES 0.5° 0 PLACE ± 0.5 mm 1 PLACE ± 0.25 mm 2 PLACE ± 0.13 mm BREAK ALL SHARP EDGES 0.25 - 0.50mm	NAME S.TREMBLAY	DATE 2020-04-16	<b>TITLE:</b>  HEAD BAND FACE MASK HOSPITAL PPE		
	INTERPRET THIS DRAWING IN ACCORDANCE WITH: ASME Y14.5-2009	DRAWN CHECKED ENG APPR. MFG APPR. Q.A.	COMMENTS:			
	MATERIAL PLA	FINISH NATURAL	SIZE <b>B</b>		DWG. NO. CEED-DET-1001-01	REV <b>A</b>
	DO NOT SCALE DRAWING	SCALE: 1:2	WEIGHT: (30 g)		SHEET 2 OF 2	